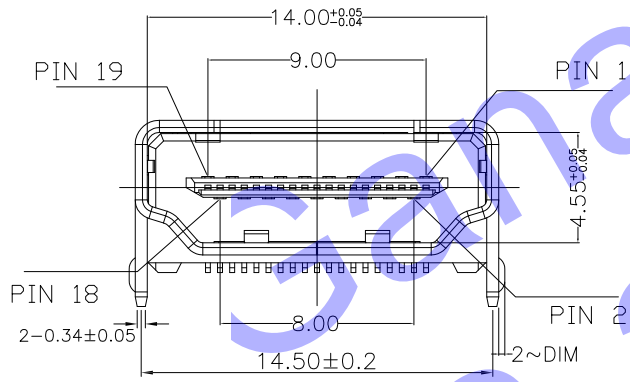


DIM	尺寸	+0.03 -0.03
A	0(无凸)	
B	0.2	



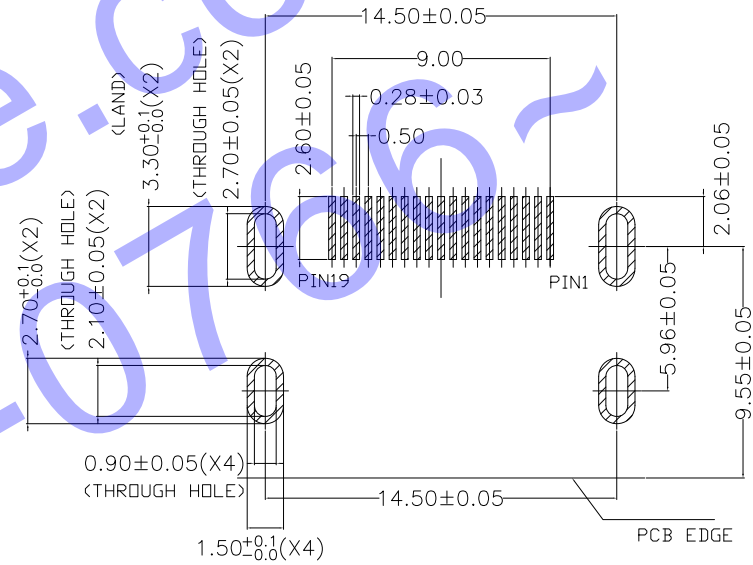
NOTE:
AD3PRQ19*0-*

Contact Area Plating:
G: Au G/F
D: Au 15u"

Packing:
T:Tray
R:Tape Reel
S:Vacuum

备注

1. 材质:
 - 1.1 外壳: 黄铜/SPCC
 - 1.2 塑胶主体: 耐高温的热塑性塑料 UL 94V-0
 - 1.3 端子: 黄铜
2. 电镀规格:
 - 2.1 端子: 端子镀金G/F
 - 2.2 外壳: 镀可焊镍或者镀金
3. 禁止使用含有《环境管理物质控制标准》所限制的物质作为材料。



RECOMMENDED PCB LAYOUT(TOP VIEW)
(THICKNESS=1.6±0.05mm)

4	Film	POLYIMIDE T=0.08mm	Color:Brown
3	Terminal	Copper Alloy T=0.25mm	Contact Area: See Note Solder-tail Area: Sn 100u" Under-Plating: Ni 50u"
2	Shell	Copper Alloy T=0.50mm	Over-Plating: Ni 100u"
1	Housing	LCP+30%G.F., UL 94V-0	Color:Black

QUALITY SYMBOLS	UNIT	SCALE	TOLERANCES
■: CRITICAL ▽: ZERO DEFECT ☒: MAJOR ▽: S.P.C	mm	2.5 : 1	DIM. ± 0.20 ANGLE: 3°
A 图面发行	'12-12-15	H D C 有限公司	
REV	DESCRIPTION	DATE	

APPROVED	CHECKED	DESIGN	DRAWN	PART NO.	AD3PRQ19*0-*	SHT	1/1
				DESCRIPTION	HDMI A/F/SMT/WITHOUT FLANGE CONN.		
				DRAWING NO.	ADD-A22	REV	A